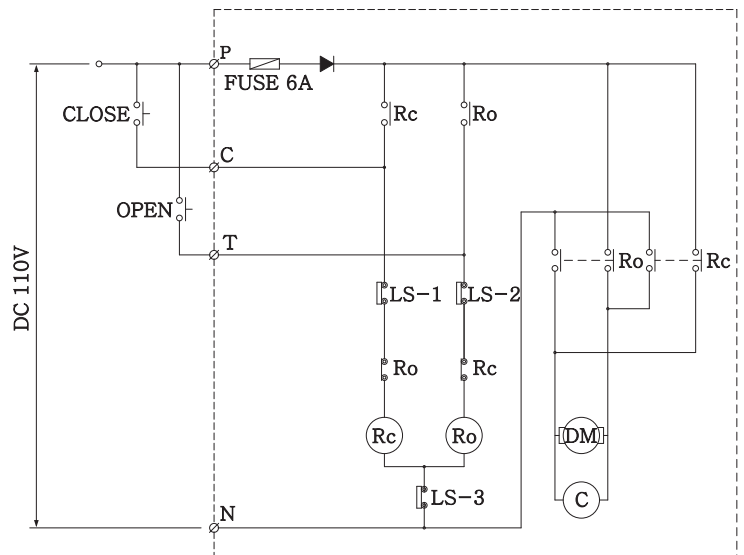


DIM	A	B	C	D	E	F	G	H
R505	248	104	70	76	143	50	313	263
R575	255	114	80	76	150	61	331	285

- DM : Driving motor
- LS-1 : End limit switch for closing
- LS-2 : End limit switch for opening
- RO : Magnetic contactor for opening
- RC : Magnetic contactor for closing
- LS-3 : Limit switch for handle inserted open
- C : Magnet Clutch

• fuse: 6A



■ Ordering information

- R505-R (standard) : 1) 7.2 KV 3P 200A ~ 2000A
- R505-L : 2) 12 KV 3P 200A ~ 1200A
- 3) 25.8 KV 3P 200A ~ 1200A
- 4) 36 KV 3P 200A ~ 600A
- R575-R (standard) : others
- R575-L

◆ Even when motor may be defective or any cease accident occurs, manual handle R505(R575) can make the constant operation of the Disconnecting Switch possible. At this time the safety bolt should be relaxed.

◆ We always provide R505-L(R575-L) for the left mounting and R505-R(R575-R) for the right mounting, according to the type of system, when an order is given.