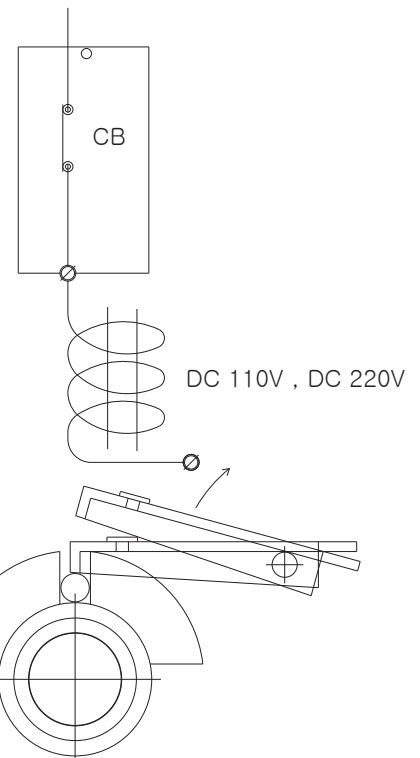


Ordering information

- S/86 R DC 110V (standard)
- S/86 L DC 110V
- S/86 R DC 220V
- S/86 L DC 220V



- ◆ Manual operating mechanism S/86 receiving DC 110V can be mounted on the right or left of panel by turning a straight angle, and interlock solenoid coil and double safety pin are contained in it.